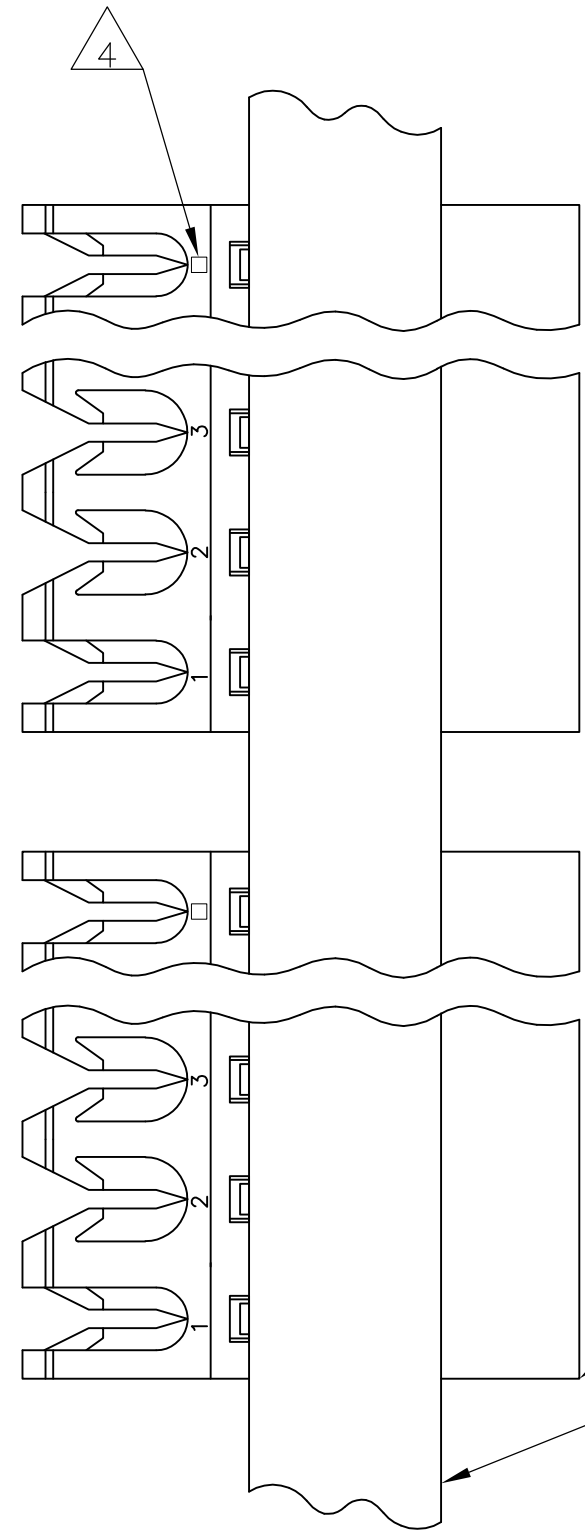


THIS DRAWING IS UNPUBLISHED. RELEASED FOR PUBLICATION  
 © COPYRIGHT BY TYCO ELECTRONICS CORPORATION. ALL RIGHTS RESERVED.

LOC	DIST	REVISIONS			
P	LTR	DESCRIPTION	DATE	DWN	APVD
CM	00	G	ECO-07-012863	13JUN05	KW DB



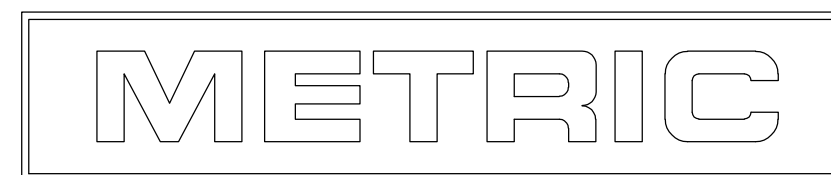
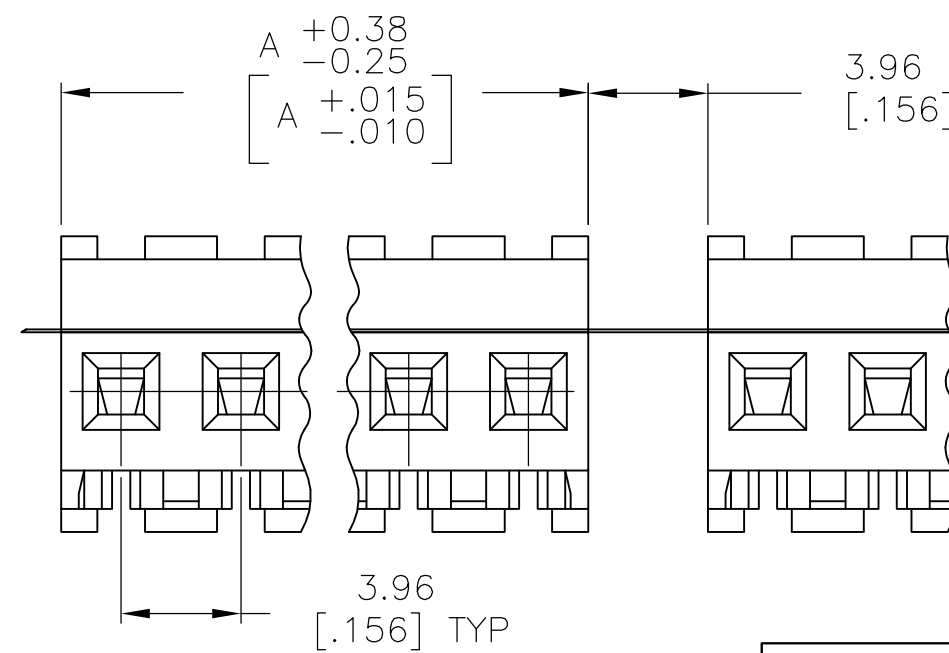
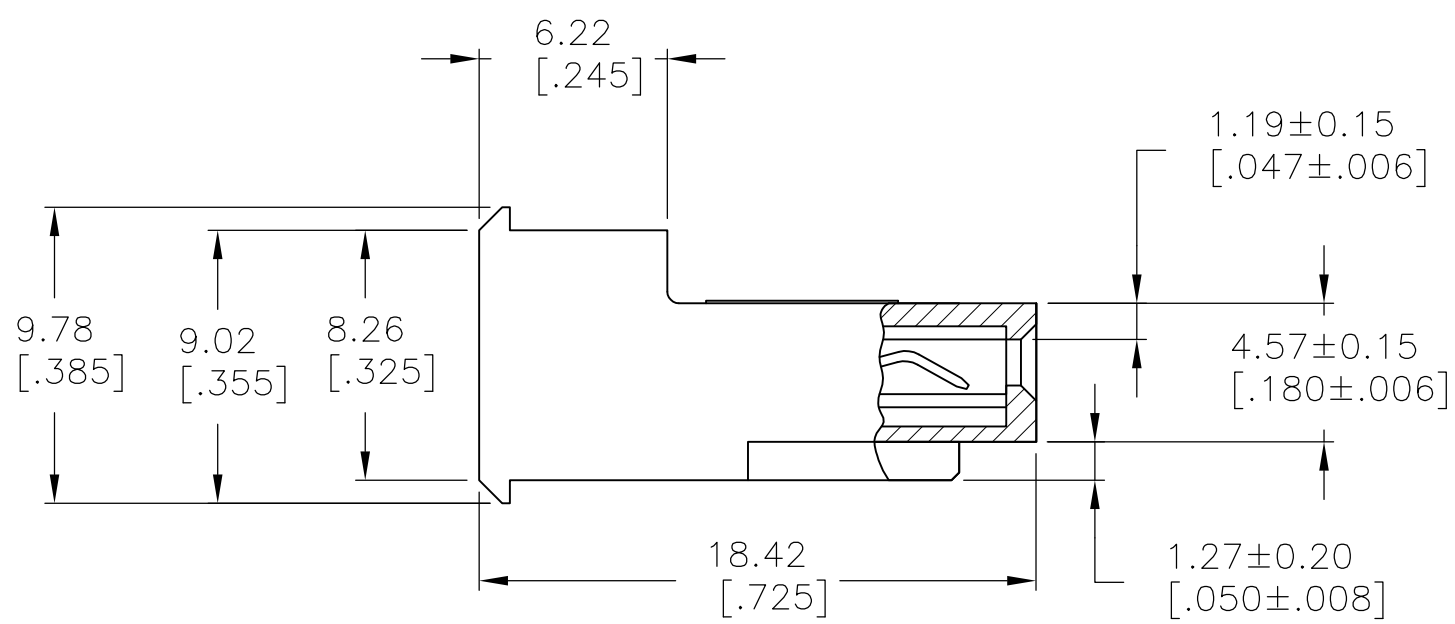
1 MATERIAL: CONNECTOR - NYLON UL94V-2 (WHITE)  
 CONTACTS - 0.30[.012] THICK COPPER ALLOY  
 BRIGHT TIN-LEAD 0.00203[.000080] MIN THICK  
 FOR CONTACTS 641309-2 THRU 2-641309-4  
 MATTE WHISKER MITIGATED TIN 0.00203[.000080]  
 MIN THICKNESS OVER NICKEL UNDERPLATE FOR  
 3-641309-2 THRU 5-641309-4.

- 2. CONTACTS ACCEPT 24 AWG WIRE WITH 2.41[.095] MAX INSULATION DIAMETER.
- 3. CONTACTS MUST ACCEPT 1.14±0.03 [.045±.001] SQUARE POST AND REMAIN LOCKED IN POSITION.
- 4 IDENTIFICATION NUMBER FOR LAST CIRCUIT MAY NOT APPEAR ON ALL ASSEMBLIES.
- 5. DIMENSIONS IN BRACKETS ARE IN INCHES.
- 6. HOUSING FEATURES ARE: FEED-THRU WITHOUT LOCKING RAMP

CONNECTOR ASSEMBLY

TAPE

95.10 [3.744]	24	5-641309-4
91.14 [3.588]	23	5-641309-3
87.17 [3.432]	22	5-641309-2
83.21 [3.276]	21	5-641309-1
79.25 [3.120]	20	5-641309-0
75.29 [2.964]	19	4-641309-9
71.32 [2.808]	18	4-641309-8
67.36 [2.652]	17	4-641309-7
63.40 [2.496]	16	4-641309-6
59.44 [2.340]	15	4-641309-5
55.47 [2.184]	14	4-641309-4
51.51 [2.028]	13	4-641309-3
47.55 [1.872]	12	4-641309-2
43.59 [1.716]	11	4-641309-1
39.62 [1.560]	10	4-641309-0
35.66 [1.404]	9	3-641309-9
31.70 [1.248]	8	3-641309-8
27.74 [1.092]	7	3-641309-7
23.77 [.936]	6	3-641309-6
19.81 [.780]	5	3-641309-5
15.85 [.624]	4	3-641309-4
11.89 [.468]	3	3-641309-3
7.92 [.312]	2	3-641309-2
95.10 [3.744]	24	2-641309-4
91.14 [3.588]	23	2-641309-3
87.17 [3.432]	22	2-641309-2
83.21 [3.276]	21	2-641309-1
79.25 [3.120]	20	2-641309-0
75.29 [2.964]	19	1-641309-9
71.32 [2.808]	18	1-641309-8
67.36 [2.652]	17	1-641309-7
63.40 [2.496]	16	1-641309-6
59.44 [2.340]	15	1-641309-5
55.47 [2.184]	14	1-641309-4
51.51 [2.028]	13	1-641309-3
47.55 [1.872]	12	1-641309-2
43.59 [1.716]	11	1-641309-1
39.62 [1.560]	10	1-641309-0
35.66 [1.404]	9	641309-9
31.70 [1.248]	8	641309-8
27.74 [1.092]	7	641309-7
23.77 [.936]	6	641309-6
19.81 [.780]	5	641309-5
15.85 [.624]	4	641309-4
11.89 [.468]	3	641309-3
7.92 [.312]	2	641309-2
DIM A	NO OF CIRCUITS	PART NO



THIS DRAWING IS A CONTROLLED DOCUMENT.

DIMENSIONS: mm [INCHES]	TOLERANCES UNLESS OTHERWISE SPECIFIED: 0 PLC ± - 1 PLC ± - 2 PLC ± - 3 PLC ± 0.13 [.005] 4 PLC ± - ANGLES ± -	DWN B. LEWIS 02 MAY 96 CHK R. SWING 02 MAY 96 APVD D. CLARK 02 MAY 96 PRODUCT SPEC 108-1051 APPLICATION SPEC 114-1020 WEIGHT -	Tyco Electronics Corporation Harrisburg, Pa 17105-3608
MATERIAL 1	FINISH 1	CUSTOMER DRAWING	NAME MTA-156 CONNECTOR ASSEMBLY, 24 AWG, STANDARD TAPE MOUNTED SIZE A2 CAGE CODE 00779 DRAWING NO C-641309 RESTRICTED TO -
		SCALE 1:1	SHEET 1 OF 1 REV G